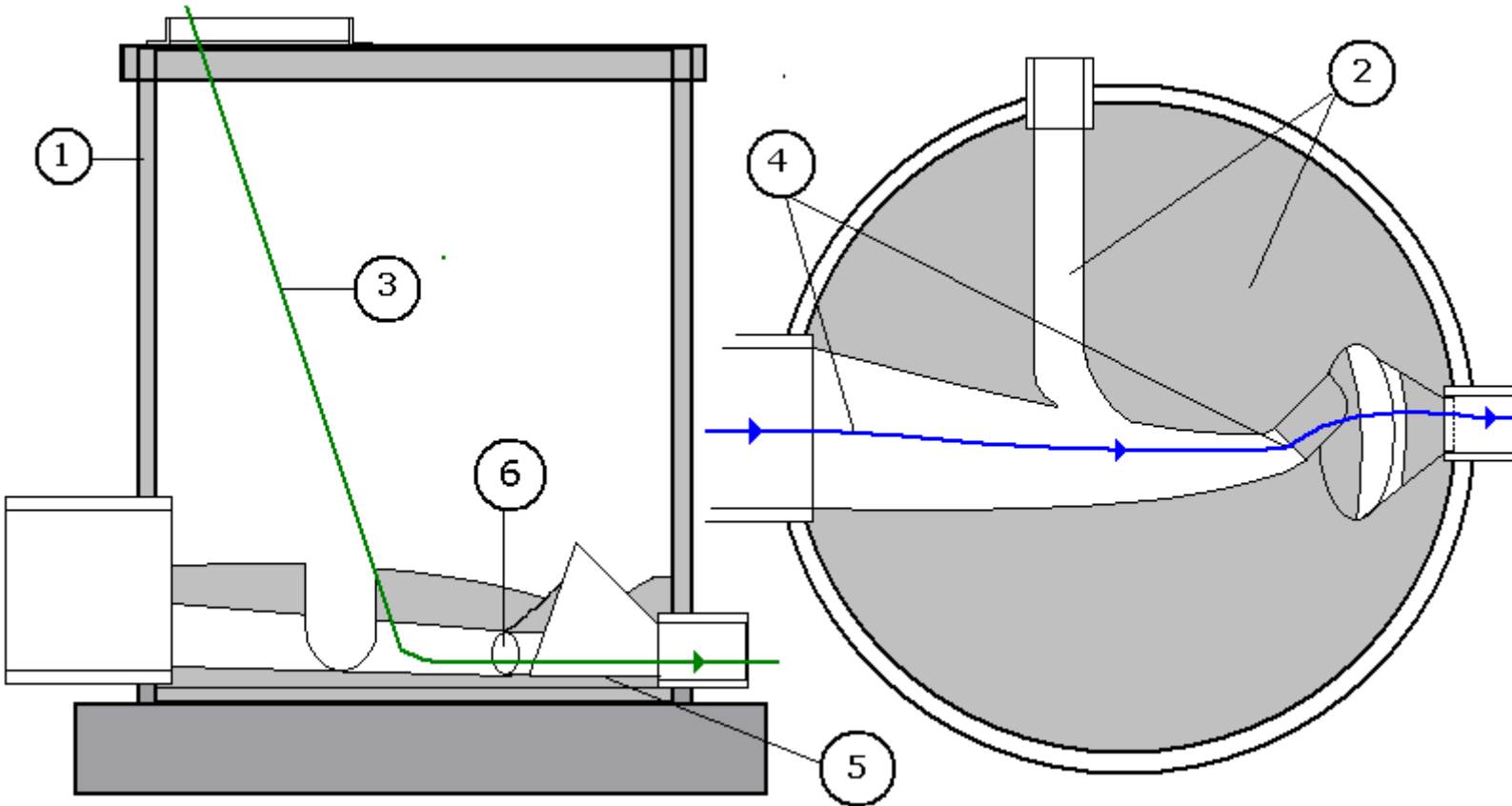


Chris Faulkner Flow Controls

119b Sydney Road, Muswell Hill, London, N10 2ND
sales@chrisfaulknerflowcontrols.co.uk

T : +44 (0) 845 838 5903 F : +44 (0) 845 838 5904
www.chrisfaulknerinternational.eu

Typical detail of Horizontal Vortex Control's compliance with:-
Document H The Building Regulations 2000, The Confined Spaces Regulations 1997,
The Working at Height Regulations 2005 and The CDM Regulations 2007 ACOP



The Requirements:-

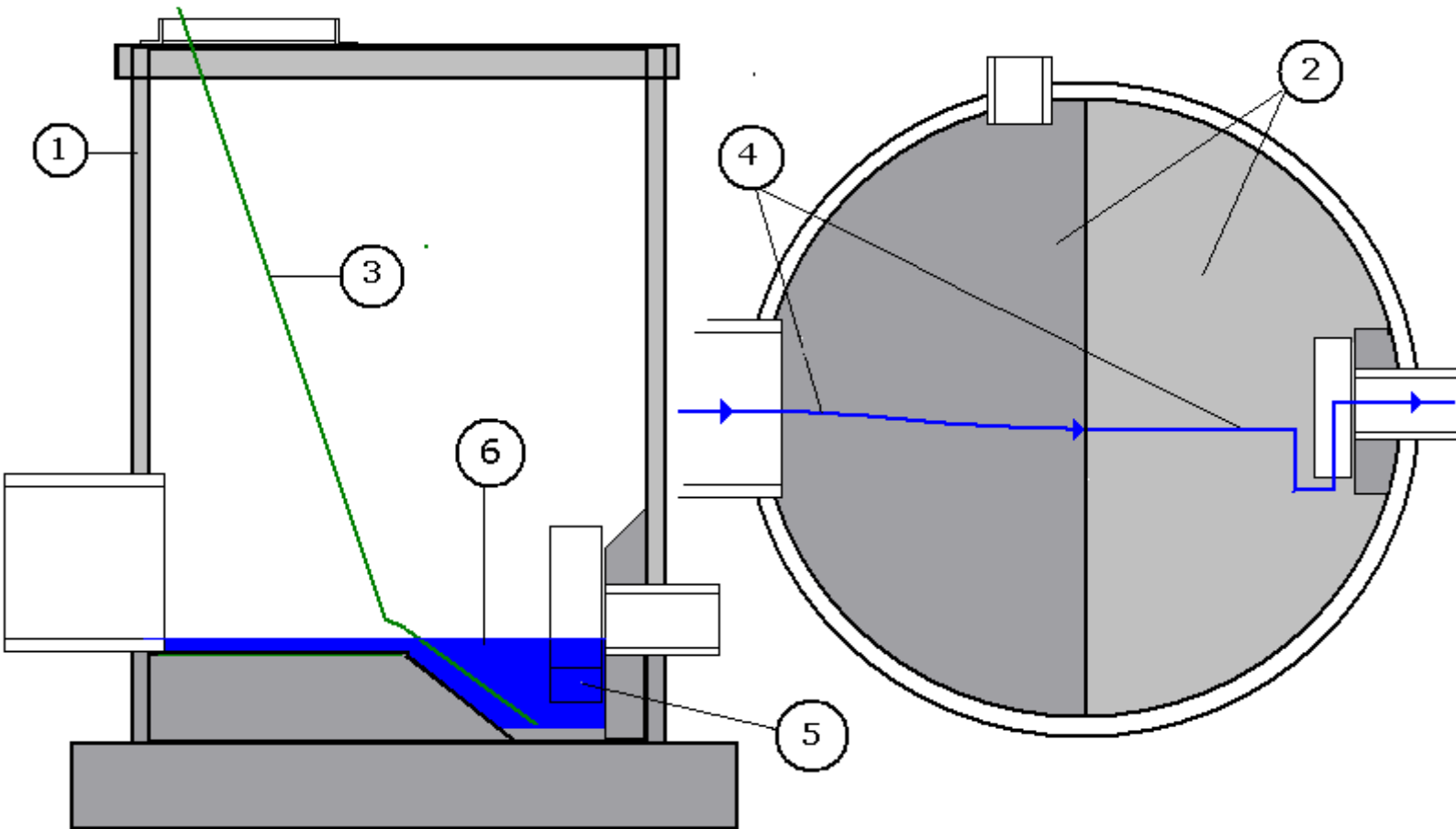
- (1) Doc. H1 Para. 2.48 Tables 11 & 12 : CDM Regs. Regulation 2 : WAH Regs. Regulation 2
- (2) Doc H1 Para.2.53
- (3) Doc H1 Para.2.46 - 2.50 : CS Regs. Regulation 4
- (4) Doc H1 Para. 2.13, 2.19, 2.20 & 2.53
- (5) Doc H1 Para. 2.18 & 2.22 (b)
- (6) Doc H3 Para. 3.14

General CDM Regulation duties under Approved Code of Practice

Reg 2 Para. 117 : Regs. 4,5,6,11 & 18 Para. 119

The above is not exhaustive. Please contact us for further information

Typical detail of Type 1 Vortex Control's **Non-compliance** with: -
 Document H The Building Regulations 2000, The Confined Spaces Regulations 1997,
 The Working at Height Regulations 2005 and The CDM Regulations 2007 ACOP



The Requirements:-

(1) Doc. H1 Para. 2.48 Tables 11 & 12 : CDM Regs. Regulation 2 : WAH Regs. Regulation 2

Increased depth of MH only required to fit control.

(2) Doc H1 Para.2.53

Sump required to fit control. Branches and channels cannot be installed

(3) Doc H1 Para.2.46 - 2.50 : CS Regs. Regulation 4 Preventing the need for entry

Control cannot be cleared from ground level. Man entry required.

(4) Doc H1 Para. 2.13, 2.19, 2.20 & 2.53

360° Flow path. Increased blockage risk.

(5) Doc H1 Para. 2.18 & 2.22 (b)

Permanently submerged inlet to control. Forms interceptor trap. Increased blockage risk.

(6) Doc H3 Para. 3.14

Decomposing material retained. increases risk of toxic gases and oxygen depletion in MH

Designers and Employers have a duty under CDM Regulations 2007 and Confined Spaces Regulations 1997 to eliminate all of the above risks to contractors and maintenance personnel